

About Hawach Scientific

Hawach Scientific is a top professional enterprise devoted to providing superior quality products, exclusive services and integrated solutions to filtration industry. We located in Xi'an, Shaanxi Province, the largest inland port of China with convenient transportation.

Hawach plant covers a production workshop area of 8000 m², with 4000 m² of clean room. We have international advanced level of product lines. The main products including Filter Cartridge, Filter Bag, Filter Capsule with ISO9001 system and product quality certificate like SGS test report.

Today, we are happy to see our products exported to the United States, Korea, UK, Germany, Dubai, Israel and Mexico... The quality and service of our products received consistent approval from customers. Hawach' s philosophy is "high quality, good service, both win", By joint efforts of Hawach' s employee, business partners and customers, we believe Hawach can be a top leader of filtration industry.



Content

| | |
|---|----|
| 1. Filter Cartridge..... | 1 |
| 1.1 Membrane Pleated Filter Cartridge..... | 1 |
| 1.1.1 PP(polypropylene) series pleated filter cartridge..... | 1 |
| 1.1.2 PTFE (Polytetrafluoroethylene) series pleated filter cartridge..... | 2 |
| 1.1.3 Nylon series pleated filter cartridge..... | 3 |
| 1.1.4 PES (polysulfone) series pleated filter cartridge..... | 4 |
| 1.2 Drinking water treatment filter cartridge..... | 5 |
| 1.2.1 Melt-blown filter cartridge (MBPP)..... | 5 |
| 1.2.2 String wound filter cartridge (SW)..... | 6 |
| 1.2.3 Active carbon block filter cartridge (CTO)..... | 7 |
| 1.2.4 Granular Activated Carbon (UDF)..... | 8 |
| 1.2.5 Multi pleated filter cartridge..... | 9 |
| 1.3 Swimming pool & SPA filter cartridge..... | 10 |
| 2. Filter Bag..... | 11 |
| 3. Filter Capsule..... | 13 |

1. Filter Cartridge

1.1 Membrane Pleated Filter Cartridge

1.1.1 PP(polypropylene) series pleated filter cartridge

PP pleated membrane filter cartridges are made of ultra-fine polypropylene membrane, the cage, the core and the end cap are all formed by hot-melt welding technology, without any glue, no leakage, no secondary pollution.

Features

- Suitable for filtering strong acids, strong bases and organic solvents
- Large filtration area
- Low pressure difference
- Strong dirt holding capacity
- Long service life
- Many micro rating for option

Application

- Pre-filtering of antibiotics and other liquids
- Alcohol, mineral water, drinking water filtration
- High purity water pre-filter
- Filtration of organic solvents, acids and alkali liquid

Specifications

Size:

OD: 69 mm(2.75")

ID: 33 mm(1.30")

Length: 5", 10", 20", 30", 40",...,70"

End Cap: DOE(220), 226/FIN, 226/FLAT, 222/FIN, 222/FLAT

Material:

Filter media: PP

End cap: PP

Inner core: PP

O-ring: silicone rubber, EPDM (ethylene propylene rubber), butadiene rubber, fluoro rubber

Filtration performance:

Micro rating: 0.1um, 0.22um, 0.45um, 1um, 5um, 10um, 20um, 50um

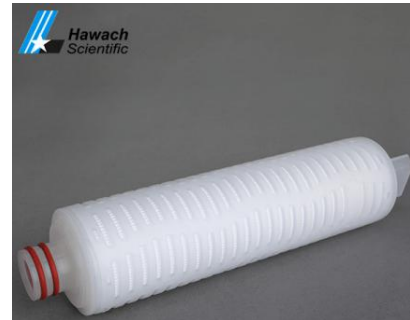
Operating Temperature Normal <55°C (131 oF)

Operating Temperature Max. <80°C (176 oF)

Normal Flow Direction pressure: 4.0 Bar at 25 °C

Reverse Flow Direction pressure: 2.0 Bar at 25 °C

Sterilization : Steam sterilization for 30 min at 121°C



1.1.2 PTFE (Polytetrafluoroethylene) series pleated filter cartridge

PTFE pleated membrane filter cartridges are made of imported natural hydrophobic PTFE membrane and support layer. The cage, the center core and the end cap are made of PP. Use hot-melt welding technology, makes the good sealing and pollution-free.

Features

Hydrophobic PTFE ensures absolute sterilization in wet or dry conditions

100% filtration of phage in gas

Large gas flux

Long service life

No fiber shedding

100% integrity test

Many micro rating for option

Application

Air sterilization filtration

High purity gas in the electronics industry

Organic solvent sterilization filtration



Specifications

Size:

OD: 69 mm(2.75")

ID: 33 mm(1.30")

Length: 9.75", 10", 20", 30", 40"

End Cap: DOE(220), 226/FIN, 226/FLAT, 222/FIN, 222/FLAT

Material:

Filter media: Hydrophobic PTFE

End cap: PP

Inner core: PP

O-ring: silicone rubber, EPDM (ethylene propylene rubber), butadiene rubber, fluoro rubber

Filtration performance:

Micro rating for air: 0.01um, 0.02um

Micro rating for liquid: 0.1um, 0.22um, 0.45um

Operating temperature Max. <90°C

Normal flow direction pressure: 4.2 Bar at 25 °C

Reverse flow direction pressure: 2.0 Bar at 25 °C

10inch filter air filtration rate: 300Nm³/h~300Nmm³/h

Sterilization : Steam sterilization for 30 min at 121°C

1.1.3 Nylon series pleated filter cartridge

Nylon pleated membrane filter cartridge is folded from a Nylon membrane and its support layer. The cage, core and end cap are made of PP material. The whole filter cartridge is processed by hot melt welding technology, with excellent sealing performance, without any glue, no leakage.

Features

Uniform pore size distribution makes good filtration effect

Excellent chemical compatibility

No fiber is falling off, in line with the requirements of the pharmaceutical and food industry

Made in cleaning workshop

Many micro rating for option

Application

Liquid filtration

Pure water, juice, alcohol filtration

Terminal filtration of distilled water



Specification

Size:

OD: 69 mm(2.75")

ID: 33 mm(1.30")

Length: 9.75", 10", 20", 30", 40"

End Cap: DOE(220), 226/FIN, 226/FLAT, 222/FIN, 222/FLAT

Material:

Filter media: Nylon

End cap: PP

Inner core: PP

O-ring: silicone rubber, EPDM (ethylene propylene rubber), butadiene rubber, fluoro rubber

Filtration performance:

Micro rating: 0.1, 0.2, 0.45, 0.65, 1.0 um

Operating temperature Max. <90°C

Normal flow direction pressure: 4.2 Bar at 25 °C

Reverse flow direction pressure: 2.1 Bar at 25 °C

Sterilization : Steam sterilization for 30 min at 121 °C

1.1.4 PES (polysulfone) series pleated filter cartridge

PES pleated membrane filter cartridge is made of imported asymmetric PES membrane and support layer folded. The material are according to FDA requirements. The cage, center core and end cap are all made through hot-melt welding technology. No adhesive, made in clean room. 100% integrity test and high purity water rinse.

Features

- Germany imported asymmetric membrane
- High temperature resistance, acid and alkali resistance
- Meet the requirements of medicine and food industry
- According to pharmaceutical and food industry and FDA requirement
- Many micro rating for option
- Made in cleaning room

Application

- Pharmaceutical and biological products terminal filtration
- Final filtration of drinking water, beverages, alcohol, etc.
- Chemical raw material filtration

Specification

Size:

- OD: 69 mm(2.75")
- ID: 33 mm(1.30")
- Length: 9.75", 10", 20", 30", 40"
- End Cap: DOE(220), 226/FIN, 226/FLAT, 222/FIN, 222/FLAT

Material:

- Filter media: PES
- End cap: PP
- Inner core: PP
- O-ring: silicone rubber, EPDM (ethylene propylene rubber), butadiene rubber, fluoro rubber, teflon fluororubber

Filtration performance:

- Micro rating: 0.1, 0.2, 0.45, 0.65, 0.8, 1.2um
- Operating temperature Max. <80°C
- Normal flow direction pressure: 4.2 Bar at 25 °C
- Reverse flow direction pressure: 2.1 Bar at 25 °C
- Sterilization : Steam sterilization for 30 min at 121 °C
- Number disinfection: 15 times



1.2 Drinking water treatment filter cartridge

1.2.1 Melt-blown filter cartridge (MBPP)

PP melt blown filter cartridge are made by superfine polypropylene fiber, through hot melt winding without any binder, which forming the deep filtration construction. It has big filtration ability and often used in pre-filter process to protect later filters.

Features

- Deep filtration construction and result in big filter ability
- High filter rating for the superfine PP fiber
- Surface strengthening, no fiber fall off
- 100% PP which has high resistance to most solvent
- Which out any binder introduced

Application

- Drinking water pre-filter to protect RO, UF
- Industry water, waste water, pure water filtration
- Chemical solvent, Acid-Bases solvent filtration

Specification

Size:

OD: 60-115mm, also can be customerized

ID: 28, 30mm

Length: 9.75", 9.87", 10", 20", 30", ...60"

Material:

Filter media: PP

End cap: PP

Inner core:PP

O-ring: silicone rubber, EPR (ethylene propylene rubber), nitrile rubber, fluororubber

Filtration performance:

Micro rating: 1, 3, 5,10,25,50,75,100,150

Max. temperature: 82 °C

Max. pressure drop: 2.0 Bar at 21 °C

Classify:



| product | rating/um | ID size/mm | OD size/mm(inch) | length/inch | weight/g | pcs/carton |
|--------------------------------------|-----------|------------|------------------|--------------------|------------------------------|-------------|
| PP melt blown | 1-100 | 28, 30 | 63 (2.5") | 5,10,20,30...70... | 110, 120, 130, 140, 150g/10" | 50/100 |
| amboss PP melt blown | 1-100 | 28, 30 | 63 (2.5") | 5,10,20,30...70... | 130g/10" | 50/100 |
| pressure melting point PP melt blown | 1-100 | 28, 30 | 63 (2.5") | 5,10,20,30...70... | 130g/10" | 50/100 |
| PP melt blown with PP inner core | 1-100 | 28, 30 | 63 (2.5") | 5,10,20,30...70... | 130g/10" | 50/100 |
| grooving PP melt blown (3M) | 1-100 | 28, 30 | 63 (2.5") | 10,20,30,40... | 150g/10" | 50/100 |
| big PP melt blown | 1-100 | 28, 30 | 114(4.5") | 10,20,30,40... | 350-380g/10" | 10/20/30/36 |

1.2.2 String wound filter cartridge (SW)

PP, degreasing cotton and glass fiber string wound are made by PP and degreasing cotton textile fiber roving and poriferous inner core, it has great filtration ability, especially in pre-filter period for big particles contaminant.

Features

Resistant to high working pressure
High Chemical Compatibility
Deep filtration to remove most big particles contaminant.

Application

Drinking water, waste water, pure water pre-filter to protect RO filter
Chemical acid-base solvent, ingredient, organic solvent
Syrup, medicine ingredient, ink solvent filtration



Specification

Size:

OD: 62-114mm, also can be customerized

ID: 28, 30mm

Length: 9.75", 9.87", 10", 20", 30", 40"

Material:

Filter media: PP, degreasing cotton, glass fiber

End cap: PP

Inner core: PP, 304 stainless steel

O-ring: silicone rubber, EPR (ethylene propylene rubber), nitrile rubber, fluororubber

Filtration performance:

Micro rating: 0.5, 1, 5, 10, 25, 50, 75, 100

Max. temperature: PP: 60 °C

Classify:

| product | rating/um | ID size/mm | OD size/mm(inch) | length/inch | weight/g | pcs/carton |
|--------------------------------|---------------------------------------|------------|------------------|-------------------------------|--------------------------------------|------------|
| PP string wound | 0.5, 1, 5, 10, 20, 30, 50, 75, 100 | 28, 30 | 62-114 | 9.75, 9.87, 10, 20, 30, 40 | | 50 |
| degreasing cotton string wound | 0.5, 1, 5, 10, 20, 30, 50, 75, 100 | 28, 30 | 62-114 | 9.75, 9.87, 10, 20, 30, 40 | | 50 |
| Glass fiber string wound | 0.5, 1, 5, 10, 20, 30, 50, 75, 100 | 28, 30 | 62-114 | 9.75, 9.87, 10, 20, 30, 40 | note: inner core has PP and 304SS | 50 |

1.2.3 Active carbon block filter cartridge (CTO)

Active block carbon filter cartridge(CTO) are made by high performance active carbon powder and food grade rubber powder, it has excellent absorb ability and can forbid release powder, which can absorb residual chlorine, taste, organics.

Features

High absorb ability to remove residual chlorine, bad taste, organics.

Low pressure drop, stable water flow

No release powder

Application

Drinking water treatment

Food liquid pre-filter

Industry waste water filtration

Specification

Size:

OD: 20, 50, 65, 68, 115mm, also can be customerized

ID: 28, 30mm

Length: 9.75", 9.87", 10", 20" also can be customerized

Material:

Filter media: Coal active block carbon

End cap: PP

Out shell: PP

O-ring: silicone rubber, EPR (ethylene propylene rubber), nitrile rubber

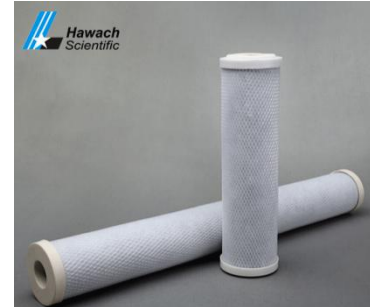
Filtration performance:

Micro rating: 5,10

Max. temperature: PP: 52 °C

Max. operation pressure: 17Bar

Max. pressure drop: 7Bar, 20°C



1.2.4 Granular Activated Carbon (UDF)

Granular active carbon filter cartridge(UDF) are made by high performance active powder, it has good absorption of the residual chlorine, taste, organics.

Features

High absorb ability to remove residual chlorine, bad taste, organics.

Low pressure drop, stable water flow

No release powder

Application

Drinking water treatment

Food liquid pre-filter

Industry waste water filtration



Specification

Size:

OD: 68, 115mm

ID: 28, 30mm

Length: 9.75", 9.87", 10", 20" also can be customerized

Material:

Filter media: Coal active block carbon/ coconut shell charcoal

End cap: PP

Out shell: PP

O-ring: silicone rubber, EPR (ethylene propylene rubber), nitrile rubber

Filtration performance:

Micro rating: 5,10

Max. temperature: PP: 52 °C

Max. operation pressure: 17Bar

Max. pressure drop: 7Bar, 20°C

Classify:

| product | rating/um | ID size/mm | OD size/mm(inch) | length/inch | weight/g | pcs/carton |
|---|-----------|------------|------------------------|--------------------|----------|------------|
| Coal active granular carbon(UDF) | 5, 10 | 28, 30 | 68, 115... | 9.75, 9.87, 10, 20 | | 20/25 |
| coconut shell active granular carbon(UDF) | 5, 10 | 28, 30 | 68, 115... | 9.75, 9.87, 10, 20 | | 20/25 |
| Coal active block carbon(CTO) | 5, 10 | 28, 30 | 20, 50, 65, 68, 115... | 10, 20 | | 20/25 |
| Big Coal active block carbon(CTO) | 5, 10 | 28, 30 | | 10, 20 | | |
| coconut shell active block carbon(CTO) | 5, 10 | 28, 30 | 20, 50, 65, 68, 115... | 10, 20 | | 20/25 |
| small T33 | | | | | | 25 |
| Big T33 | | | | | | 25 |

1.2.5 Multi pleated filter cartridge

Hawach multi pleated filter cartridge are made of polyester fiber and polypropylene, which are mainly used in water filtration process. It has long life time and big filtration area, it also a kind of economic filter cartridge.

Features

Multi pleated construction lead to big filtration area
Low pressure, long life time
Capable clearance to repeat use

Application

Pre-filtration in drinking water to protect RO/UF filter cartridge
Food, drinking, pure w industry filtration
Swimming pool filtration



Specification

Size:

OD: 68, 115mm

ID: 28 mm

Length: 9.75", 9.87", 10", 20", 30", 40"

Material:

Filter media: polyester fiber, polypropylene

End cap: plastisol

Inner core:PP

Filtration performance:

Micro rating:1, 5,10, 20, 50 um

Max. temperature: 37.8 °C

Max. operation pressure: 4.0 Bar

Rate of flow: 3-10 gallon/min

1.3 Swimming pool & SPA filter cartridge

Our swimming pool filter cartridge is made of polyester fiber cloth and has durable performance. The filter media, the center core and the end cap are glued together to ensure better sealing of the end cap. Due to the folding design, it provides greater filtration area, reduce filter update times, reduce filtration costs.

Features

Multi-fold design increases filter area and reduces filter replacement times

Large amount of pollution

For various water filtration

Many micro rating for option

Made in cleaning room

Application

Pool water treatment

RO security filtering

Conventional water purification

Specification

Size:

OD: 68mm, 115mm, 197mm

ID: 28mm

Length: 245mm, 495mm, 781mm

Material:

Filter media: Polyester, PP

End cap: Plastisol

Inner core: PP

Filtration performance:

Micro rating: 1.0, 5.0, 10.0, 20.0, 50.0um

Operating temperature Max. <37.8°C

Max. Operation pressure: 4.0 Bar



2. Filter Bag

Hawach scientific produce varies kinds of filter bag used for industry filtration, the specific details are shown below.

Features

Varies kinds of filtration media to meet different request

Good quality and high filtration efficiency

Application

Cement plant, asphalt mixing plant, blast furnace gas, cast... industry filtration

Specification

| | | | | |
|-------------------------------|---|--|---|--|
| Room temperature Filter bag | polyester needle-felt | anti-static polyester needle-felt | | Anti-water&oil polyester needle-felt |
| |  |  | |  |
| | Weight: 500g Thickness: 1.8mm Working temperature: $\leq 130^{\circ}\text{C}$ Max. temperature:150 $^{\circ}\text{C}$ acid resistance: excellent alkali resistance: good | Weight: 500g Thickness: 1.8mm Working temperature: $\leq 130^{\circ}\text{C}$ Max. temperature:150 $^{\circ}\text{C}$ acid resistance: good alkali resistance: good | | Weight: 500g Thickness: 1.8mm Working temperature: $\leq 130^{\circ}\text{C}$ Max. temperature:150 $^{\circ}\text{C}$ acid resistance: good alkali resistance: good |
| Middle temperature filter bag | Acrylic needle-felt | Aramid needle-felt | PTFE needle-felt | PPS needle-felt |
| |  |  |  |  |
| | Weight: 500g Thickness: 2.1 mm Working temperature: $\leq 160^{\circ}\text{C}$ Max. temperature:180 $^{\circ}\text{C}$ acid resistance: good alkali resistance: good | Weight: 500g Thickness: 1.8mm Working temperature: $\leq 160^{\circ}\text{C}$ Max. temperature:190 $^{\circ}\text{C}$ acid resistance: good alkali resistance: good | Weight: 750g Thickness: 1.1mm Working temperature: $\leq 260^{\circ}\text{C}$ Max. temperature:280 $^{\circ}\text{C}$ acid resistance: excellent alkali resistance: good | Weight: 500g Thickness: 1.8mm Working temperature: $\leq 190^{\circ}\text{C}$ Max. temperature:232 $^{\circ}\text{C}$ acid resistance: excellent alkali resistance: excellent |

| | P84 needle-felt | FMS needle-felt | METAMAX needle-felt | Glass fiber needle-felt |
|-----------------------------|--|---|---|---|
| High temperature filter bag |  |  |  |  |
| | Weight: 500g Thickness: 2.3 mm Working temperature: \leq 260°C Max. temperature: 280°C acid resistance: excellent alkali resistance: good | Weight: 500g Thickness: 2.0 mm Working temperature: \leq 280°C Max. temperature: 300°C acid resistance: good alkali resistance: good | Weight: 500g Thickness: 2.0 mm Working temperature: \leq 240°C Max. temperature: 250°C acid resistance: good alkali resistance: good | Weight: 1000g Thickness: 2.1 mm Working temperature: \leq 280°C Max. temperature: 300°C acid resistance: excellent alkali resistance: good |

3. Filter Capsule

Hawach capsule filters are available in a variety of sizes with a wide range micro rating options. Inlet and outlet are adapted with a standard NPT or Swa-gelock. It can be connected to different sizes of pipes through the corresponding adapters. It is quick and easy to install and suitable for fast filtration of small doses of liquid and gas.

Features

- Disposable design, safe and convenient
- Small retention volume
- Good pressure resistance
- Wide rang of inlet&outlet
- Many micro rating for option
- Convenient connection design, safe and convenient operation
- Made in cleaning room

Application

- Low dosage liquid
- Quick filtration of gases
- Chemical industry inks, dyes, developer
- Ultrafiltration prefilter for reverse osmosis



Specification

Size:

Length: 2.5", 5" etc.

Material:

Filter media: PP, PES, PTFE, Nylon, GF

Housing: PP

Micro rating:

PP: 0.1, 0.22, 0.45, 1.0, 3.0, 5.0, 10.0, 20.0, 30.0, 50.0 um

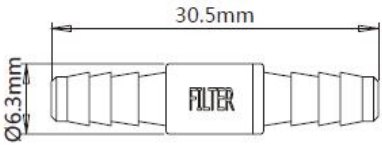
PES: 0.05, 0.1, 0.22, 0.45, 0.65, 0.8, 1.2 um

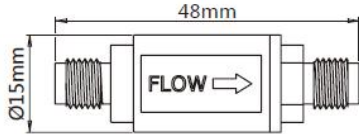
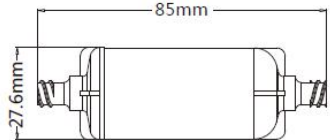
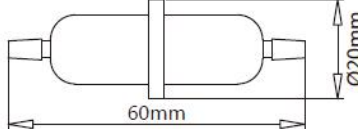
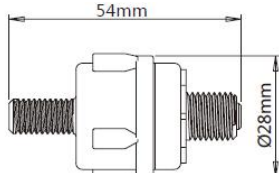
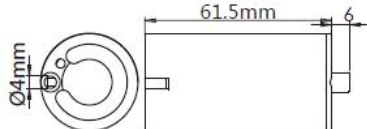
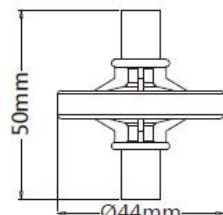
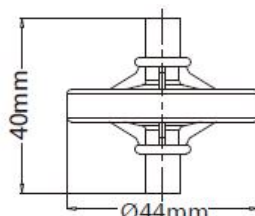
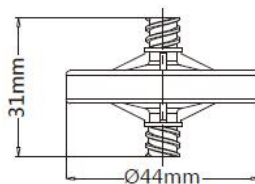
PTFE: Liquid: 0.1, 0.22, 0.45 um

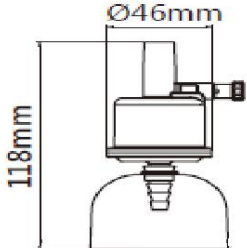
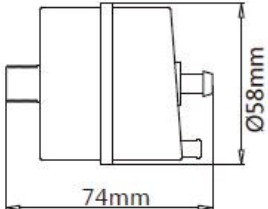
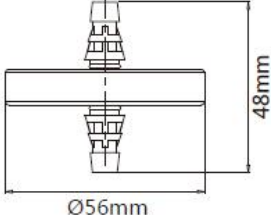
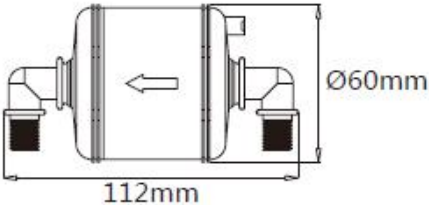
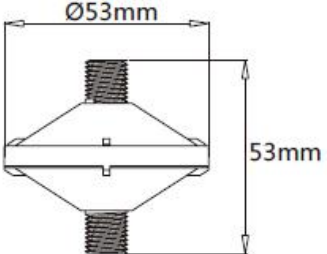
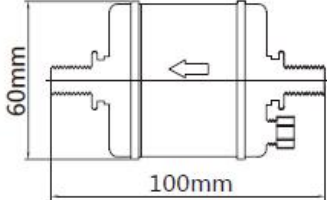
Gas: 0.01, 0.02 um

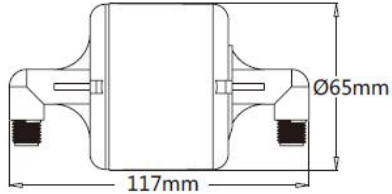
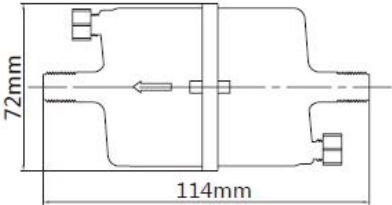
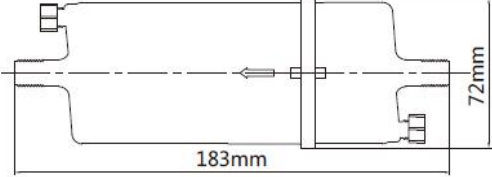
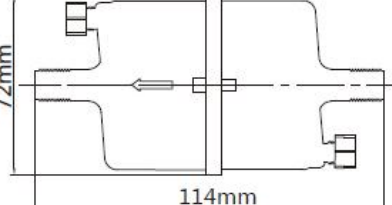
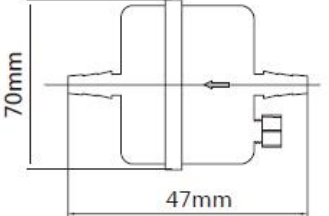
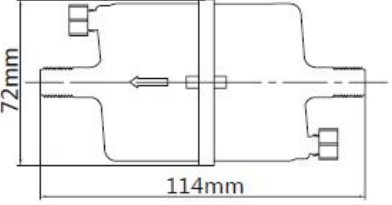
Nylon6: 0.1, 0.2, 0.45, 0.65, 1.0 um

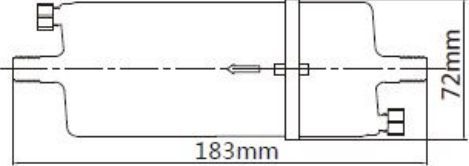
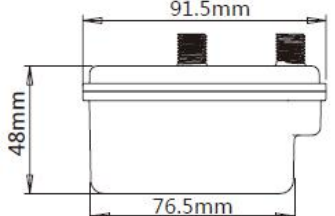
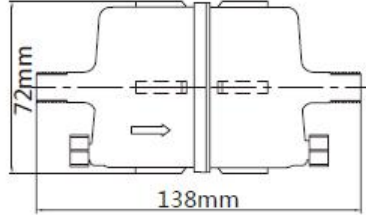
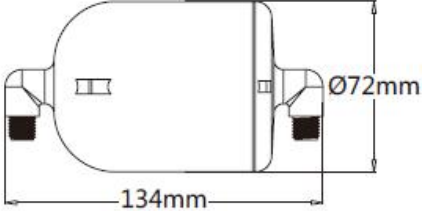
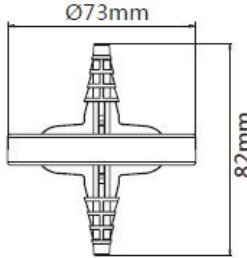
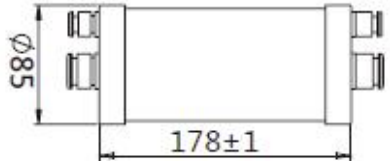
Drawing Picture:

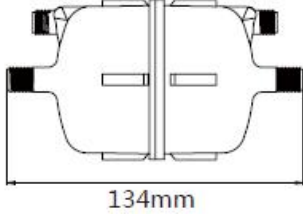
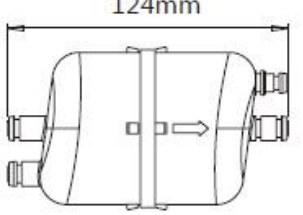
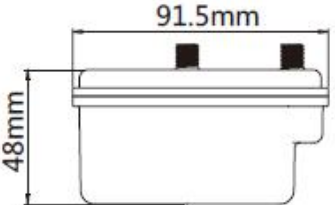





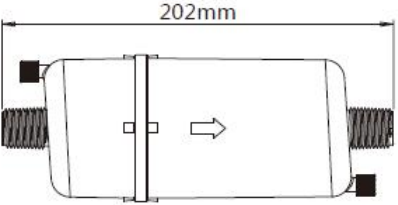
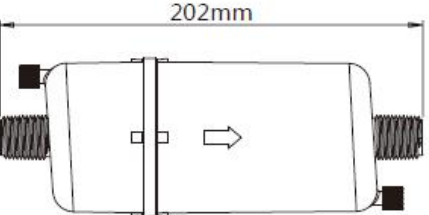
| Code | Joint | Drawing |
|------|-----------------------------|--|
| 128 | In/out: hose barb vent: N/A |  |

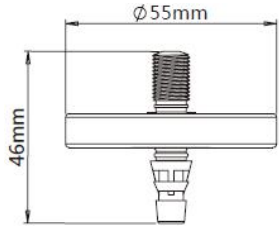
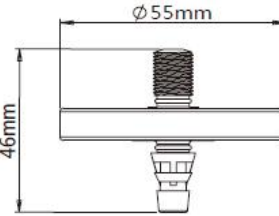
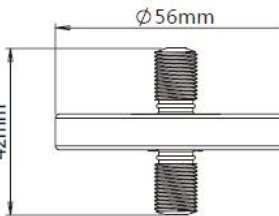
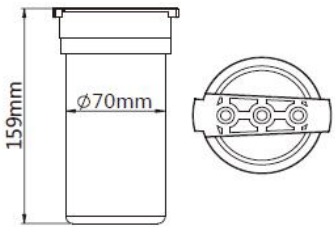
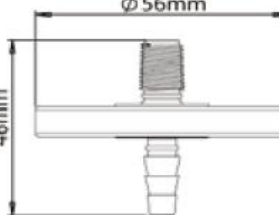
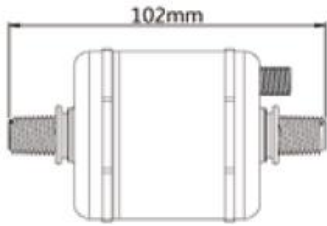
| | | |
|-----|--|---|
| 136 | In/out: 1/8" Swagelok |  |
| 219 | In/out: Luer lock |  |
| 227 | In/out: 1/8" hose barb |  |
| 306 | In: 1/8" NPTM Out: 1/4" NPTM Filtration area: 35 cm ² |  |
| 325 | In/out: 1/4" Luer Slip Vent/Drain: 1/4" Luer Slip |  |
| 414 | In/out: 1/4" Swagelok Filtration area: 9.5 cm ² |  |
| 415 | In/out: 1/8" Swagelok Filtration area: 9.5 cm ² |  |
| 416 | In/out: Luer Lock Filtration area: 9.5 cm ² |  |

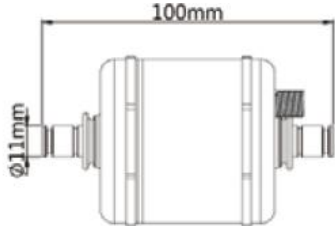
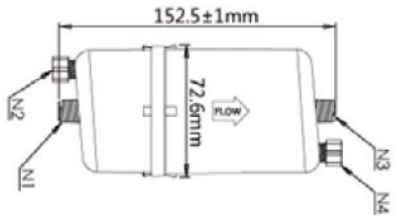
| | | |
|------------|--|--|
| <p>418</p> | <p>In: 1/4" NPTM Out: 3/8 HB OUT Filtration area: 150 cm²</p> |  |
| <p>505</p> | <p>In: Hose Barb Out: 1/4" NPTM Vent: Luer Lock Filtration area: 455 cm²</p> |  |
| <p>517</p> | <p>In/out: 1/4"-3/8" Hose Barb Filtration area: 13.8 cm²</p> |  |
| <p>519</p> | <p>In/out: 1/4" Swagelok Vent: Luer Lock Filtration area: 250 cm²</p> |  |
| <p>523</p> | <p>In/out: 1/4" Swagelok</p> |  |
| <p>601</p> | <p>In/out: 1/4" Swagelok Vent/Drain: 1/8" NPTM Filtration area: 455 cm²</p> |  |

| | | |
|-----|---|--|
| 624 | In/out: 1/4" Swagelok Vent: N/A Filtration area: 560 cm ² |  |
| 702 | In/out: 1/4" Swagelok Vent/Drain: 1/4" Swagelok Filtration area: 1134 cm ² |  |
| 703 | In/out: 3/8" Swagelok Vent/Drain: 1/4" Swagelok Filtration area: 1920 cm ² |  |
| 704 | In/out: 1/4" Swagelok Vent/Drain: 1/8" Swagelok Filtration area: 840 cm ² |  |
| 707 | In/out: 1/4" stepped Hose Barb Vent/Drain: 1/4" Swagelok Filtration area: 570 cm ² |  |
| 709 | In/out: 1/4" NPTM Vent/Drain: 1/8" NPTM Filtration area: 840 cm ² |  |

| | | |
|-----|---|---|
| 710 | In/out: 1/2" Swagelok Vent/Drain: 1/4" Swagelok Filtration area: 1920 cm ² |  |
| 711 | In/out: 1/4" Swagelok Filtration area: 358 cm ² |  |
| 712 | In/out: 1/4" NPTM Vent/Drain: 1/4" Swagelok Filtration area: 1134 cm ² |  |
| 722 | In/out: 1/4" Swagelok Vent: N/A Filtration area: 1300 cm ² |  |
| 726 | In/out: 1/4"-1/2" Hose Barb Vent/Drain: N/A Filtration area: 30 cm ² |  |
| 734 | Seal Material: EPDM Filtration area: 350 cm ² |  |

| | | |
|-----|---|--|
| 738 | In/out: 1/4" Swagelok Vent/Drain: 1/4" Swagelok Filtration area: 1200 cm ² |  |
| 741 | Seal Material: EPDM Filtration area: about 1200 cm ² |  |
| 743 | In/out: 1/8" Swagelok |  |
| 148 | 1/8" Swagelok |  |
| 149 | 1/4" Swagelok |  |
| 150 | 1/8" Swagelok |  |
| 151 | 1/4" Swagelok |  |
| 152 | |  |
| 753 | In/out: 1/2" NPT Vent/Drain: Luer Lock |  |
| 754 | In/out: 3/8" NPT Vent/Drain: Luer Lock |  |

| | | |
|------|---|---|
| 553 | M10X1-1/4"-3/8" HB |  |
| 554 | M10X1.5-1/4"-3/8"HB |  |
| 555 | M10X1.5-M10X1.5 |  |
| 831L | |  |
| 558 | Inlet: 1/8" NPT Outlet: 1/4" Hose bard |  |
| 656 | In/Out: 1/4" NPT Vent: 1/8" NPT |  |

| | | |
|------------|---|--|
| <p>657</p> | <p>In/Out: CPC Vent: 1/8" NPT</p> |  |
| <p>759</p> | <p>Connection type: N1/N3: 1/4" NPT N2/N4: 1/8" NPT</p> |  |