

Filter Capsule

Hawach capsule filters are kind of self contained, ready to use, disposable filters, they are made up of polypropylene and pleated membrane filter inside by thermal bonding, free of adhesives, binders and other chemicals. They are manufactured in a clean room environment and are processes in double sealed packaging to avoid any contamination.

Features

- made in the clean environment and always keep clean situation
- many kind of filter media and removal rating
- absolutely bio-safety and non-toxic
- have many kinds of capsule size. According to flow rate and flow speed to choose the correct filter, because different capsule length have his own effective filtration area.



Application

- Digital inks, paintings
- Small injection and tissue cultures in pharmaceutical industry
- Corrosive liquids/solvents filtration in chemical industry
- Photo resist, acids, etc in electronic industry
- Gas/Air sterile filtration
- Laboratory solutions

Specification

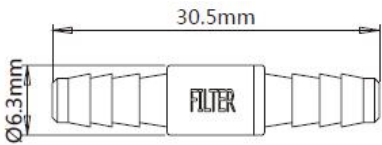
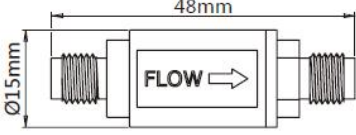
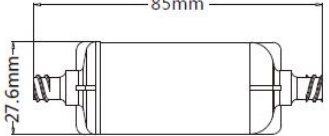
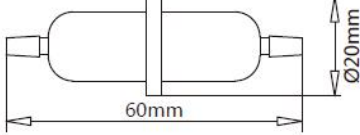
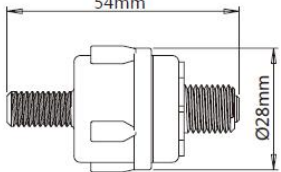
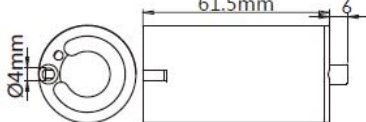
Construction Materials	Filter Media	PP, PES, PTFE, Nylon6, GF
	Filter housing	PP
	Support material	PP
Operation conditions	Micron Rating	PP: 0.1, 0.22, 0.45, 1.0, 3.0, 5.0, 10.0, 20.0, 30.0, 50.0 um PES: 0.05, 0.1, 0.22, 0.45, 0.65, 0.8, 1.2 um PTFE: Liquid: 0.1, 0.22, 0.45 um Gas: 0.01, 0.02 um Nylon6: 0.1, 0.2, 0.45, 0.65, 1.0 um

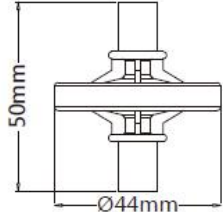
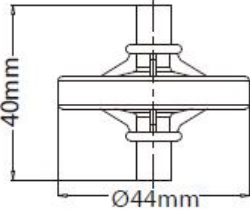
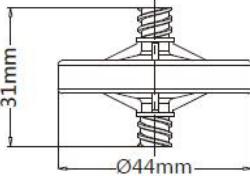
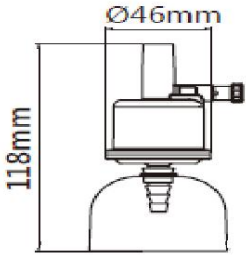
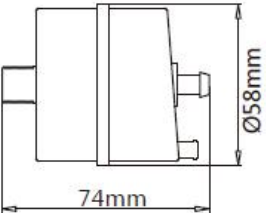
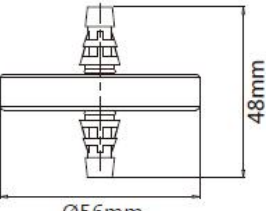
Order Information

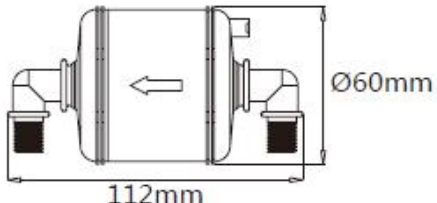
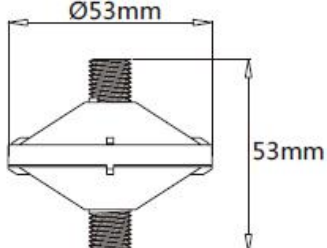
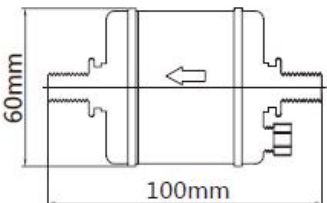
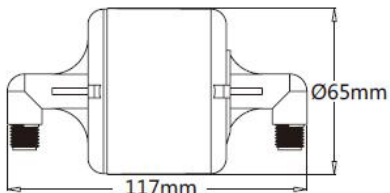
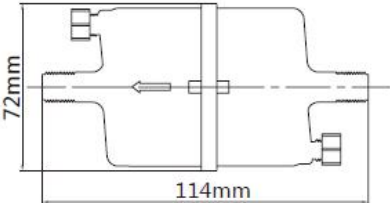
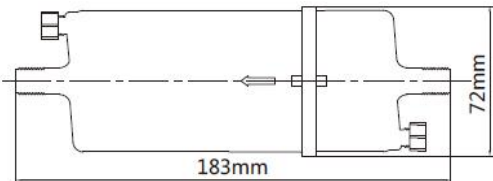
Model	Media	Micron(um)

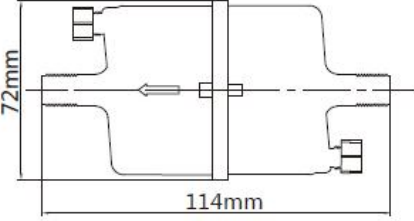
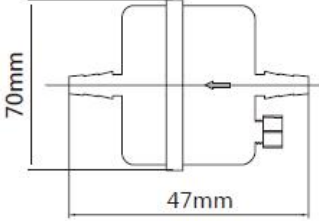
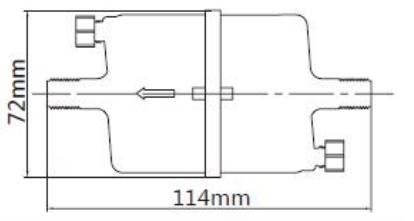
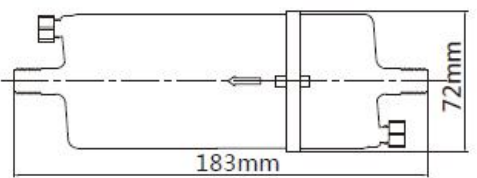
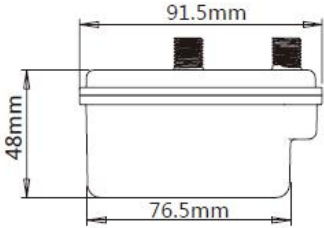
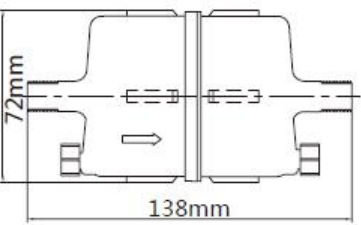
128 136 219 227 306 325	A- PP	001-0.01
414 415 416 418 505 759	B- PES	002-0.02
517 519 523 601 624 702	C- PTFE	01-0.1
703 704 707 709 558 710	D- NY6	022-0.22
711 712 722 726 734 738	E- GF	045-0.45
741 743 148 656 149 150		1-1
151 152 753 754 553 554		3-3
555 831L 657		5-5
		10-10
		20-20
		50-50

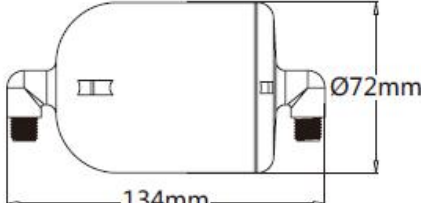
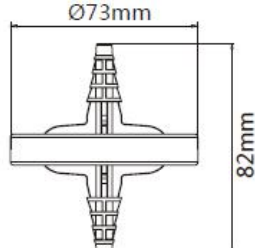
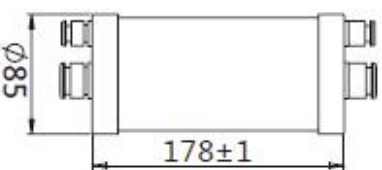
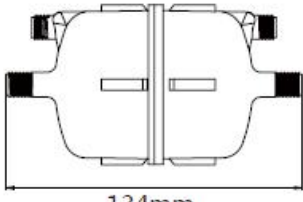
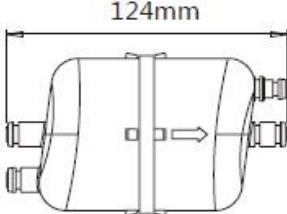
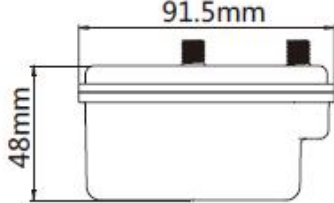


Order Information




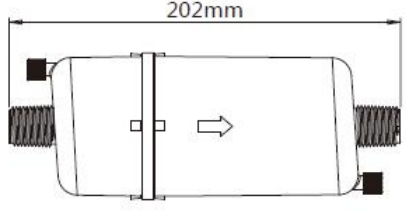
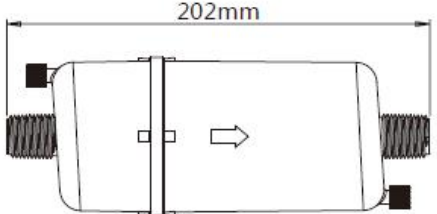
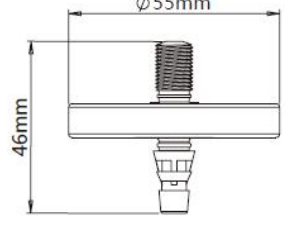
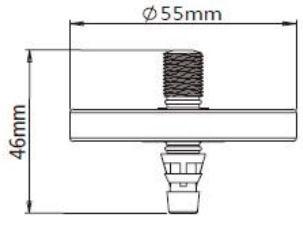
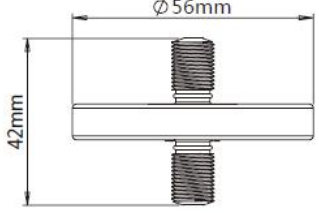
Code	Joint	Drawing
128	In/out: hose barb vent: N/A	
136	In/out: 1/8" Swagelok	
219	In/out: Luer lock	
227	In/out: 1/8" hose barb	
306	In: 1/8" NPTM Out: 1/4" NPTM Filtration area: 35 cm ²	
325	In/out: 1/4" Luer Slip Vent/Drain: 1/4" Luer Slip	

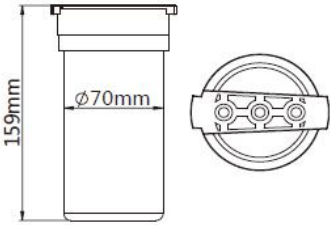
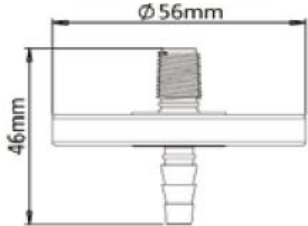
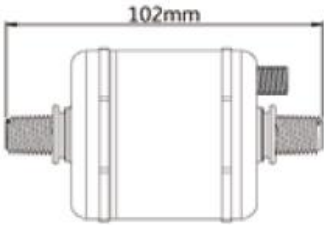
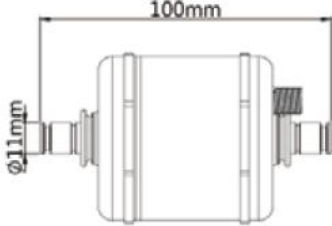
<p>414</p>	<p>In/out: 1/4" Swagelok Filtration area: 9.5 cm²</p>	
<p>415</p>	<p>In/out: 1/8" Swagelok Filtration area: 9.5 cm²</p>	
<p>416</p>	<p>In/out: Luer Lock Filtration area: 9.5 cm²</p>	
<p>418</p>	<p>In: 1/4" NPTM Out: 3/8 HB OUT Filtration area: 150 cm²</p>	
<p>505</p>	<p>In: Hose Barb Out: 1/4" NPTM Vent: Luer Lock Filtration area: 455 cm²</p>	
<p>517</p>	<p>In/out: 1/4"-3/8" Hose Barb Filtration area: 13.8 cm²</p>	

<p>519</p>	<p>In/out: 1/4" Swagelok Vent: Luer Lock Filtration area: 250 cm²</p>	
<p>523</p>	<p>In/out: 1/4" Swagelok</p>	
<p>601</p>	<p>In/out: 1/4" Swagelok Vent/Drain: 1/8" NPTM Filtration area: 455 cm²</p>	
<p>624</p>	<p>In/out: 1/4" Swagelok Vent: N/A Filtration area: 560 cm²</p>	
<p>702</p>	<p>In/out: 1/4" Swagelok Vent/Drain: 1/4" Swagelok Filtration area: 1134 cm²</p>	
<p>703</p>	<p>In/out: 3/8" Swagelok Vent/Drain: 1/4" Swagelok Filtration area: 1920 cm²</p>	

704	In/out: 1/4" Swagelok Vent/Drain: 1/8" Swagelok Filtration area: 840 cm ²	
707	In/out: 1/4" stepped Hose Barb Vent/Drain: 1/4" Swagelok Filtration area: 570 cm ²	
709	In/out: 1/4" NPTM Vent/Drain: 1/8" NPTM Filtration area: 840 cm ²	
710	In/out: 1/2" Swagelok Vent/Drain: 1/4" Swagelok Filtration area: 1920 cm ²	
711	In/out: 1/4" Swagelok Filtration area: 358 cm ²	
712	In/out: 1/4" NPTM Vent/Drain: 1/4" Swagelok Filtration area: 1134 cm ²	

722	In/out: 1/4" Swagelok Vent: N/A Filtration area: 1300 cm ²	
726	In/out: 1/4" - 1/2" Hose Barb Vent/Drain: N/A Filtration area: 30 cm ²	
734	Seal Material: EPDM Filtration area: 350 cm ²	
738	In/out: 1/4" Swagelok Vent/Drain: 1/4" Swagelok Filtration area: 1200 cm ²	
741	Seal Material: EPDM Filtration area: about 1200 cm ²	
743	In/out: 1/8" Swagelok	
148	1/8" Swagelok	
149	1/4" Swagelok	

150	1/8" Swagelok	
151	1/4" Swagelok	
152		
753	In/out: 1/2" NPT Vent/Drain: Luer Lock	
754	In/out: 3/8" NPT Vent/Drain: Luer Lock	
553	M10X1-1/4"-3/8" HB	
554	M10X1.5-1/4"-3/8" HB	
555	M10X1.5-M10X1.5	

831L		
558	Inlet: 1/8" NPT Outlet: 1/4" Hose bard	
656	In/Out: 1/4" NPT Vent: 1/8" NPT	
657	In/Out: CPC Vent: 1/8" NPT	
759	Connection type: N1/N3: 1/4" NPT N2/N4: 1/8" NPT	